



M10 MALE THREAD ARCHITECTURAL SUPPORT

18th Edition Amendment 2:2022 compliant.

Versatile architectural attachment, manufactured from bright nickel-plated brass, designed for static light-weight fixtures or fittings with an M10 female thread. Ideal for installing into recessed lights. Leaves a low profile once installed.

AVAILABILITY

Product code: **ACMGM10B**

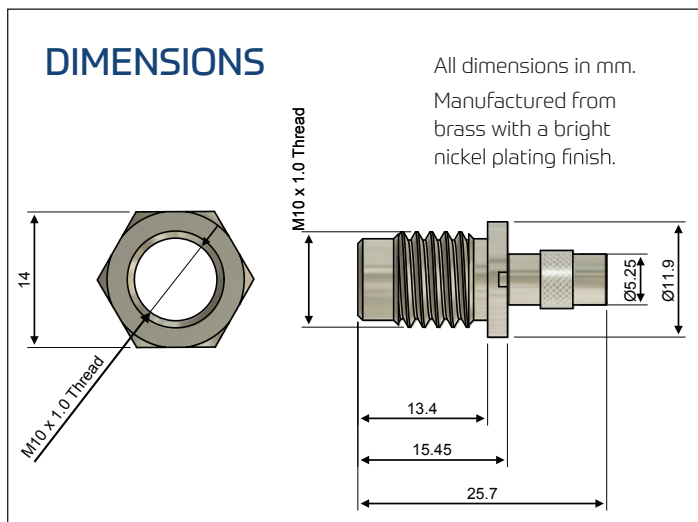
Safe working load (SWL): 15 kg.

The range consists of a predetermined length of wire from 1 to 3 metres.

Each wire support comes complete with the desired fixing end, length of wire required and an M10 male-threaded architectural support including nut.

FEATURES AND BENEFITS

- Allows for one single suspension point from the ceiling.
- Fully lockable plunger for safety and security.
- Through-bottom exit for main vertical support which allows for height adjustment at service level.
- Can be supplied with a variety of ceiling fixings.
- Available in kit format – lengths from 1-3 metres.



AVAILABLE END FIXING OPTIONS

Loop end to support from existing structures/ fixing points	M6 concrete hammer fixing (Drill 6 mm hole, minimum depth 35 mm)	Architectural base plate to fix to a base material with a desired screw fixing

WIRE

Galvanised mild steel electro-galvanised wire rope, 1960 N/mm² grade, 7×7 IWRC construction, manufactured to BS EN 12385.

INSTALLATION

1. Fully screw male thread clockwise into female thread or pass male thread into a "through hole" and use integral nut and washer to lock into place.
2. Unscrew lockable plunger anti-clockwise allowing it to actuate, do not unscrew fully.
3. Feed vertical wire support through the top of the plunger ensuring a minimum of 25 mm of wire passes through the device before locking-off.

Note:

Through exit directs wire into the fixture. It is important to ensure fixture will accommodate redundant wire.

4. Screw the lockable plunger clockwise to lock-off device.