


















For further details of accessories listed, and their suitability for varying applications, please contact Zip-Clip

SUSPENSION SYSTEM ACCESSORIES

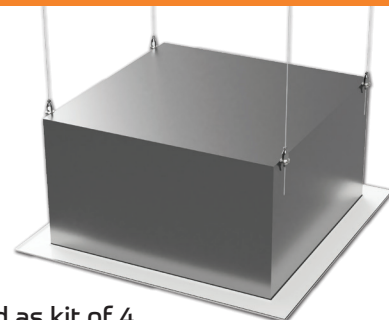
ACCESSORY	CODE	DESCRIPTION	QTY
	CUT1	Heavy-duty wire cutters	1
	CUT2	Heavy-duty wire cutters for P wire	1
	PVC100S	PVC 100 m reel × 3 mm Ø	1
	PVC100P	PVC 100 m reel × 6 mm Ø	1
	CPA1	Corner protectors	50
	CPA1MAG	Magnetic corner protectors	50
	CLA1	Universal concrete anchor	50
	CLA2	Concrete spike	50
	CLA7	Concrete anchor	50
	HCBP1	Shot-fired fastener for concrete and steel	100
	CT1	Catenary fixing 1	1
	CT2	Catenary fixing 2	1
	CT3	Catenary fixing 3	1
	CT4	Catenary fixing 4	1

ACCESSORY	CODE	DESCRIPTION	QTY
	TT1	Tensioning tool	1
	LOOS GUAGE	Loos tension guage	1
	HCB1	Uni-Lock bracket 7 mm	10
	HCB2	Uni-Lock bracket 14 mm	10
	HCB3	90° Uni-Lock bracket for Y wire	10
	T920514	Vertical flange clip 1-5 mm	10
	T920515	Vertical flange clip 5-7 mm	10
	T920518	90° purlin clip	10
	ABC1	Beam clip (10-16 mm)	10
	ABC2	Beam clip (5-9 mm)	10
	ABSWP	Staple on wall plate	1
	UNI1	M6 × 20 mm universal eyebolt with flange nut	10
	UNI2	M6 × 45 mm universal eyebolt with flange nut	10

SUSPENSION SYSTEM ACCESSORIES (continued)

ACCESSORY	CODE	DESCRIPTION	QTY
	UNI3	M8 x 25 mm universal eyebolt with flange nut	10
	UNI6M60	M6 x 50 mm closed eyebolt	10
	UNI8M60	M8 x 60 mm closed eyebolt	10
	UNI10M60	M10 x 75 mm closed eyebolt	10
	ATLDM6	M6 standard drop-in anchor	10
	ATLDM8	M8 standard drop-in anchor	10
	ATLDM10	M10 standard drop-in anchor	10
	ATLDM6/ST	Standard setting tool for M6 drop-in anchor	1
	ATLDM8/ST	Standard setting tool for M8 drop-in anchor	1
	ATLDM10/ST	Standard setting tool for M10 drop-in anchor	1
	MAAW/M6	AW alphawedge M6	10
	MAAW/M8	AW alphawedge M8	10
	MAMF60/M6	MF60 decking fixing (met. nut and bracket) M6	10
	MAMF80/M8	MF80 decking fixing (met. nut and bracket) M8	10
	MAMW2/M6	MW2 multiwedge M6	10
	MAMW2/M8	MW2 multiwedge M8	10
	MATR60/M6	TR60 wedge with locking plate - M6	10
	MATR60/M8	TR60 wedge with locking plate - M8	10
	MA6810	Multiwedge decking fixing	10
	MA300HEX	300 mm magnetic bit holder for MA6810	1

CASSETTE / PLENUM KIT



Supplied as kit of 4
Compatible with Zip-Clip S-range wire rope suspensions. SWL 45 kg

Each assembly contains:

KIT CODE: TPDM820/A/KIT

1 x Strut-Lock M8

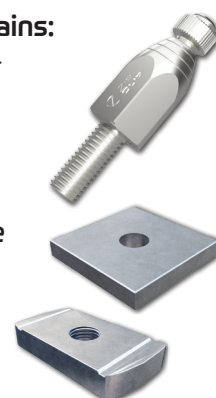
PART CODE: TPDM820

1 x M8 Square-Plate Washer

PART CODE: WM85

1 x M8 Channel Nut

PART CODE: NM8Z



Each assembly contains:

KIT CODE: PREF

1 x Strut-Lock M8

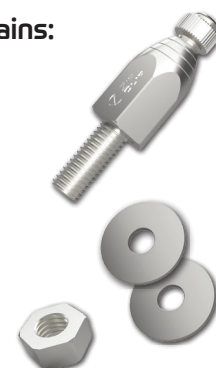
PART CODE: TPDM820

1 x M8 Washers

PART CODE: WM8R

1 x M8 Nut

PART CODE: NM8



Fixing options:

